



Servo Control Connector

Space saving compact solution.

High density solution ■ Standard version solution with 4 contacts #20.

Flexible ■ Removable crimp contacts on plug, thanks to metallic clips.
Wires can be inserted and extracted, thanks to a simple tool.

Compact solution ■ Oval flange receptacle.

Large range of applications ■ Suitable for primary and secondary actuators:
Rudder actuation
Spoiler actuation
Aileron, Elevator, THS actuation...



Description

- Plastic receptacle and plug
- 4 male contact #20 / 4 female crimp contact #20
- Plastic plug fully intermateable with plastic (SN1542) and metal (AM89) receptacles
- Solder buckets or straight spills

Application

- Civil or military aircrafts flight controls
- Actuators
- Servo valves
- Linear Variable Differential Transformer Provides sensors

Technical features

Mechanical Electrical

- **Material:**
Thermoplastic
- **Insulation:**
Thermoplastic insulating housing resistant to SKYDROL
- **Contacts #20**
Solder buckets or straight spills
Golden copper alloy sub-layer of nickel

Electrical

- **Contact resistance**
≤ 5m Ω
- **Intensity per contacts:**
5A
- **Operating voltage:**
28V
- **Temperature resistance:**
- 55 to +90°C (-67 to +194°F) for use
- 60 to +110°C (-76 to +230°F) for storage

Tooling

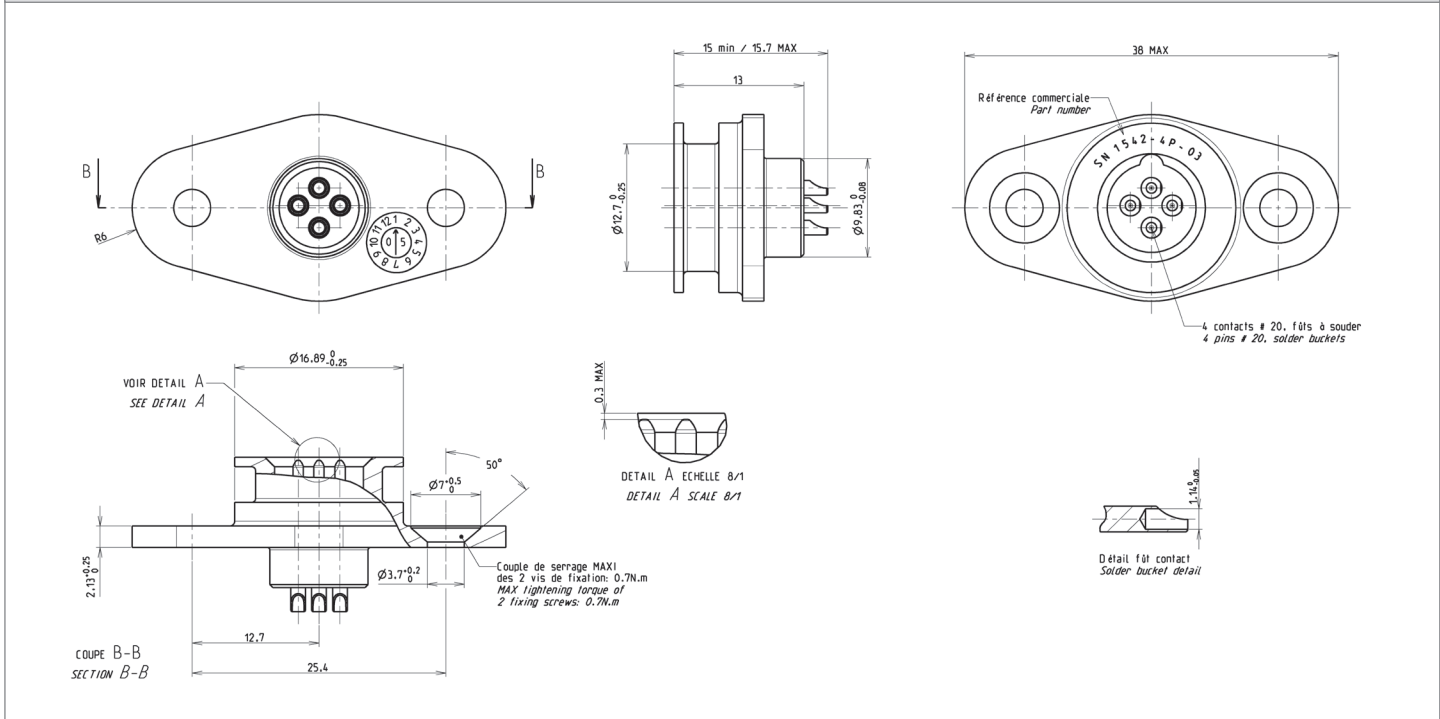
- **Only plug SN15424S031**
- **Crimp tool:**
M22520/2-01 (Souriau 8476-01)
- **Locator:**
Souriau 8630-83
- **Plastic tool for contact's extraction:**
8630 06A

Ordering information

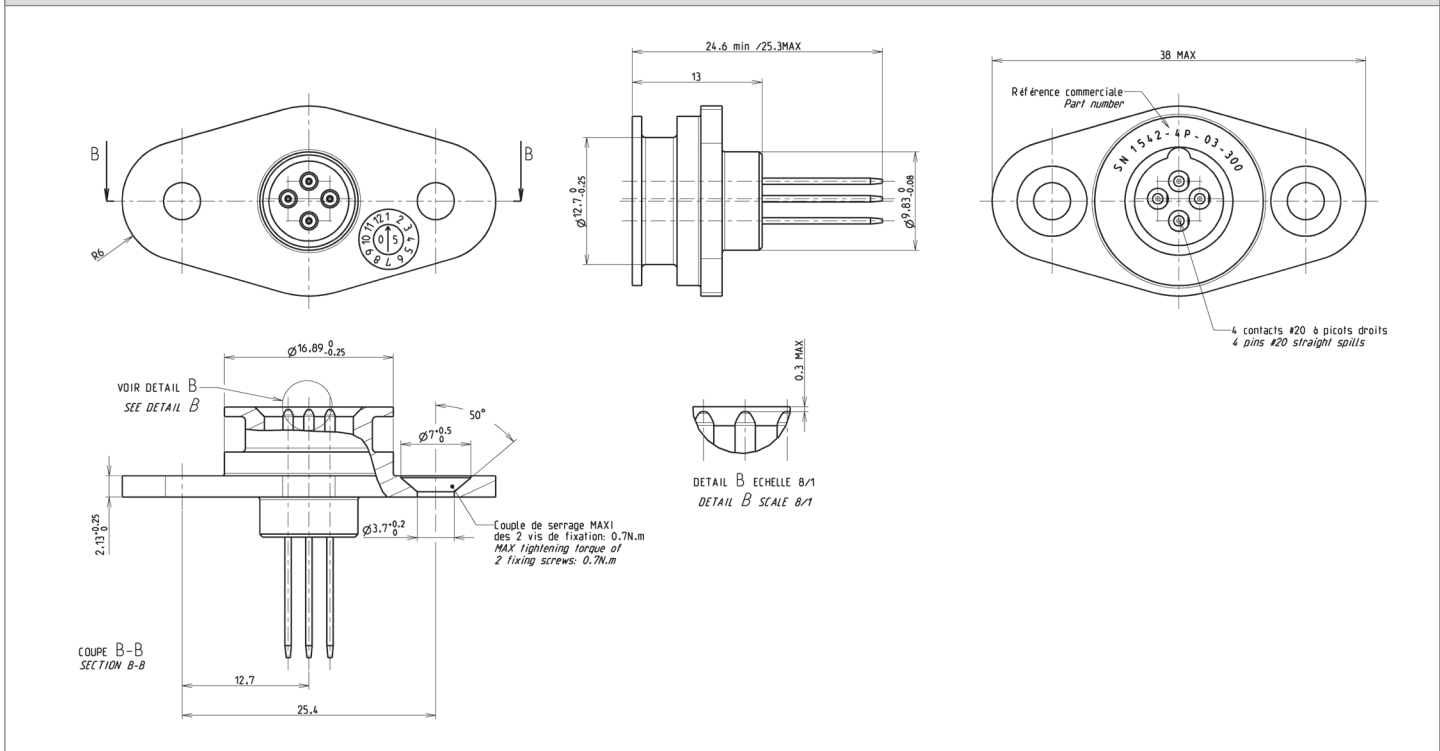
Basic series	SN1542	*	03	**
Contacts				
4P: Receptacle 4 pins				
4S: Plug 4 sockets				
Shell Material				
03: Thermoplastic insulating housing				
Type of thread				
None: Soldering contact (Receptacle only)				
300: Straight spills (Receptacle only)				
1: Removable crimp contact (Plug only)				

Dimensions

SN 1542 - 4P - 03: Thermoplastic receptacle with soldering contacts

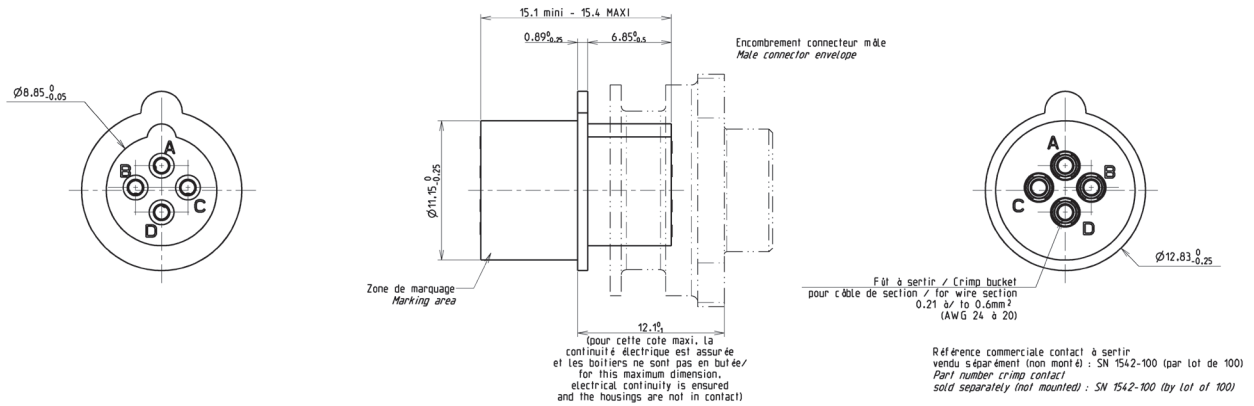


SN 1542 - 4P - 03 - 300: Thermoplastic receptacle with straight spills



Dimensions

SN 1542 - 4P - 03: Thermoplastic receptacle with soldering contacts



For further information contact us at contactnuclear@souriau.com
 or visit our web site www.souriau.com/nuclear